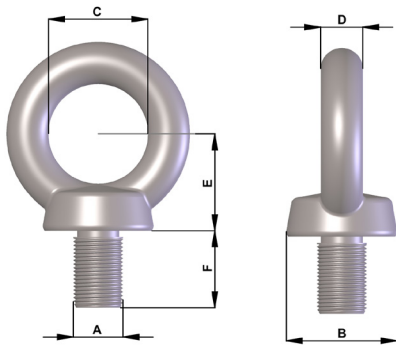


# IS Range Eyebolts DIN580

## Product Description

Working Load Limits are derived from the DIN 580 standard. However, we do not recommend these for lifting purposes.

- General purpose - **Not For Lifting**
- Zinc Passivated surface finish



Metric AØ	WLL (kg)	BØ	CØ	DØ	E	F	Net Weight (kg)
M8	n/a	20	20	8	16.0	13.0	0.05
M10	200	25	25	10	20.5	17.0	0.10
M12	250	30	30	12	25.0	20.5	0.18
M16	600	35	35	14	29.5	27.0	0.28
M20	1000	40	40	16	34.0	30.0	0.44
M22	1500	50	50	20	43.0	36.0	0.60
M24	1800	50	50	20	43.0	36.0	0.87