

DPLP Weld on Lifting Points

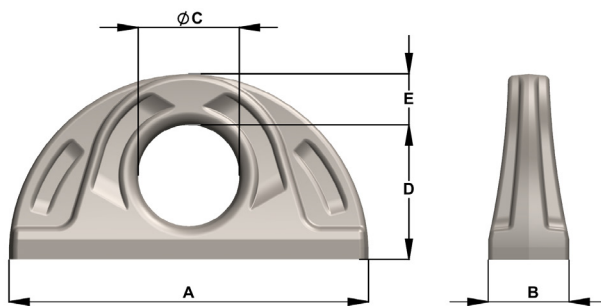
Product Description

Load Ring:

- Forged from G300 Mild Steel - AS3679.1 Grade 300PLUS
- Full Working Load Limit in all directions
- 4:1 Design Factor
- Surface Phosphated
- If using the DPLP as a lashing point, stated WLL can be doubled
- Available in sizes 1.6t, 2.5t, 4.0t, 6.7t and 10t
- Welding shall always be carried out by a qualified person to AS1554.1:2014
- Manufactured using only heat certified Australian Steel.



Townley Drop Forge is both NATA Accredited (Test Lab No. 13554) and AS/NZS ISO9001 Certified (Certificate number FS 604897)..



Part No.	WLL	A	B	C	D	E	Weight (kg)
DPLP160	1.6t	100	24	30	42	18	0.4
DPLP250	2.5t	130	28	35	48	20	0.9
DPLP400	4.0t	160	38	45	62	22	1.6
DPLP670	6.7t	180	46	60	76	28	2.8
DPLP1000	10.0t	240	70	80	100	36	5.8