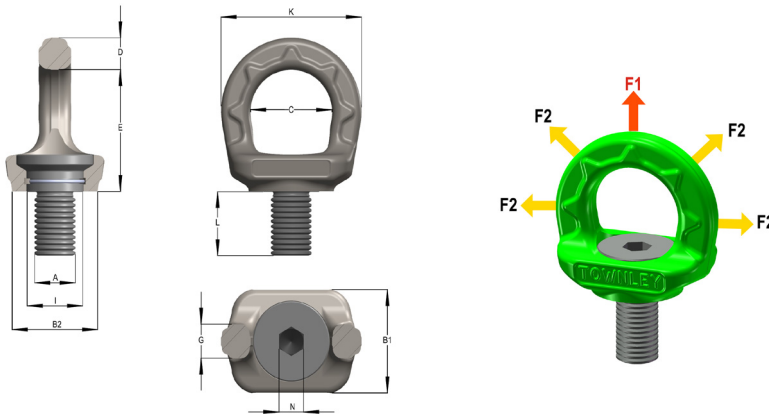


Grade-10 Swivel Eyebolts

- Forged from high tensile alloy steel
- Tempered
- Electromagnetic crack detection to AS1171
- Hi-visibility powder coating to AS4506
- Manufactured exclusively from Australian Made Steel
- Long shanks and special thread forms made to order



Townley Drop Forge is both NATA Accredited (Test Lab No. 13554) and AS/NZS ISO9001 Certified (Certificate number FS 604897).

A Imperial	A Metric	WLL F1	WLL F2	B1	B2	C	D	E	G	I	K	L	N	Torque (Nm)	Weight (kg)
5/16"	M08	1t	0.3t	33	30	30	11	43	11	18	55	12	8	7	0.23
3/8"	M10	1t	0.4t	33	30	30	11	43	11	18	55	15	8	14	0.23
1/2"	M12	2t	0.75t	33	30	30	11	43	11	18	55	18	8	22	0.23
5/8"	M16	4t	1.5t	39	35	34	14	49	14	22	64	24	10	60	0.38
3/4"	M20	6t	2.3t	48	42	39	16	56	16	28	69	30	12	105	0.60
7/8"	M22	7t	2.3t	48	42	39	16	56	16	28	69	33	12	144	0.72
1"	M24	8t	3.2t	56	50	50	19	71	19	33	86	36	14	182	1.10
1.1/8"	M27	8t	3.2t	56	50	50	19	71	19	33	86	41	14	260	1.80
1.1/4"	M30	12t	4.5t	69	60	60	22	85	22	42	110	45	17	345	1.90
1.1/2"	M36	16t	7t	85	76	70	29	100	29	50	132	54	22	600	4.00
1.3/4"	M42	24t	9t	110	100	95	38	132	38	69	179	63	27	930	7.80
2"	M48	32t	12t	110	100	95	38	132	38	69	179	72	27	1380	8.20

WLL (WORKING LOAD LIMIT)

Each eyebolt is clearly stamped with the permitted F2 WLL.

F2 WLL - indicates safe use for non-axial lifts.

F1 WLL - indicates loads which are in line with the axis of the threaded end of the eyebolt. F1 WLL allows up to four (4) times higher lifting capacity whilst maintaining a 4:1 design factor of safety.

Subject to technical modifications