

Grade-4 Eyebolts AS2317

Product Description

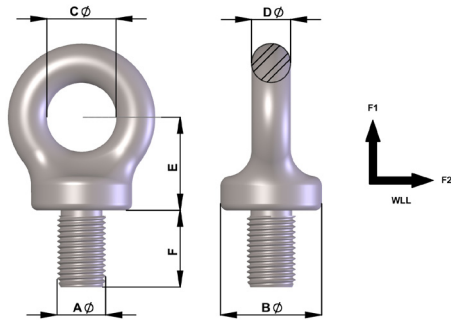
- Manufactured using only heat certified Australian Steel

Available on Request:

- Special Thread Forms and long shanks
- Hot Dip Galvanizing
- Zinc Passivating
- Chrome Plating
- Powder Coating
- Testing and Certification

Please ensure that all information contained in this user guide has been read and understood prior to the safe use of the Grade-4 Lifting Eyebolt. Failure to follow this guide may result in serious injury and/or property damage. Failure to follow this user guide voids the manufacturer's warranty.

This document may refer to the Eyebolt as the Lifting Point.



Townley Drop Forge is both NATA Accredited (Test Lab No. 13554) and AS/NZS ISO9001 Certified (Certificate number FS 604897).

Imperial AØ	Metric AØ	WLL F1	WLL F2	BØ	C	DØ	E	F	Net Weight (kg)
3/8"	M10	0.25t	0.06t	21	14	9	19	17	0.06
1/2"	M12	0.4t	0.1t	28	18	11	24	21	0.15
5/8"	M14	0.4t	0.1t	35	23	14	31	27	0.28
5/8"	M16	0.8t	0.2t	35	23	14	31	27	0.28
3/4"	M18	0.8t	0.2t	42	30	16	35	38	0.46
3/4"	M20	1.6t	0.4t	42	30	16	35	38	0.46
7/8"	M22	2t	0.5t	50	32	20	41	41	0.85
1"	M24	2.5t	0.62t	57	38	22	48	42	1.10
1 1/8"	M30	4t	1t	71	49	27	65	52	2.10
1 1/4"	M33	5t	1.025t	71	49	27	65	52	2.10
-	M36	6.3t	1.57t	87	53	35	73	64	3.70
1 1/2"	M39	7t	1.75t	87	53	35	73	64	3.70
1 3/4"	M42	8t	2t	102	66	40	90	76	6.30
2"	M48	10t	2.5t	115	75	49	99	89	9.50
2 1/4"	M56	15t	3.7t	143	97	56	124	116	19.50
2 1/2"	M64	20t	5t	143	97	56	124	116	19.50
3"	M76	30t	7.5t	163	106	66	140	125	29.00

WLL (WORKING LOAD LIMIT)

Each eyebolt is clearly stamped with the permitted F2 WLL.

F2 WLL - indicates safe use for non-axial lifts.

F1 WLL - indicates loads which are in line with the axis of the threaded end of the eyebolt. F1 WLL allows up to four (4) times higher lifting capacity whilst maintaining a 4:1 design factor of safety.