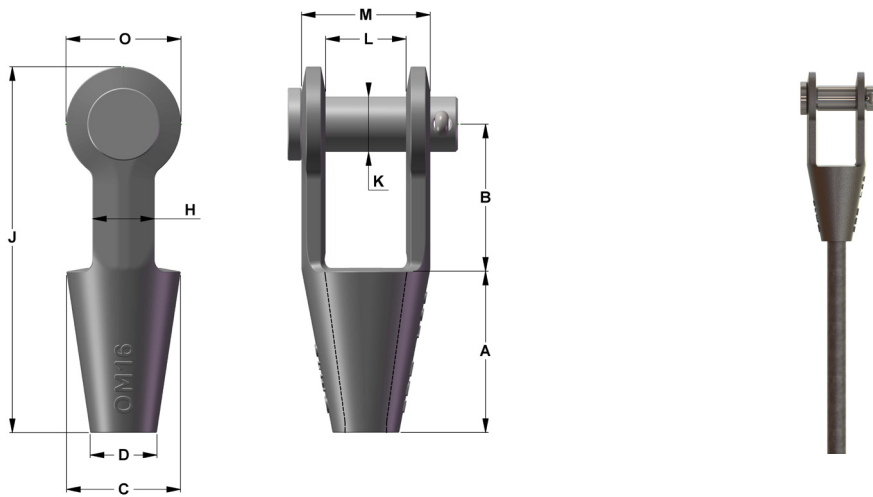


Open Metallig Sockets

Product Description

- Manufactured in Australia
- Cast Alloy Steel
- Available for rope sizes 10mm to 70mm
- 100% Magnetic particle inspected in accordance with AS1171
- Ultrasonically tested in accordance with AS2574
- Manufactured in accordance with BS463 to meet the performance requirements of AS1666 Wire Rope Slings



Surface finish options include:

- Black self colour
- Galvanized
- Painted

Commonly known as Spelter or Poured Sockets, FDT open metallig sockets are manufactured in Australia from high quality alloy cast steels.

Rope Diameter	A	B	C	D	H	J	K	L	M	O	Weight (kg)	Product code
10	51	43	38	30	21	112	16	22	43	38	0.5	FDT-OM10
13	60	52	44	24	22	135	21	29	48	44	0.8	FDT-OM13
16	70	64	50	29	27	159	24	35	56	50	1.1	FDT-OM16
20	76	67	62	33	33	175	29	38	70	64	2	FDT-OM20
22	86	76	70	41	40	197	32	43	78	70	2.5	FDT-OM22
26	105	89	83	49	46	237	38	48	89	86	5	FDT-OM26
28	114	102	92	57	50	262	41	50	94	92	6.5	FDT-OM28
32	133	111	108	64	60	297	48	54	111	105	10	FDT-OM32
36 to 42	152	114	127	70	67	330	57	65	135	127	14	FDT-OM38
44 to 54	195	170	190	100	100	450	90	90	180	175	45	FDT-OM52
58 to 64	240	270	225	120	115	620	105	130	240	230	85	FDT-OM64
70	250	295	230	130	125	670	120	145	260	255	110	FDT-OM70