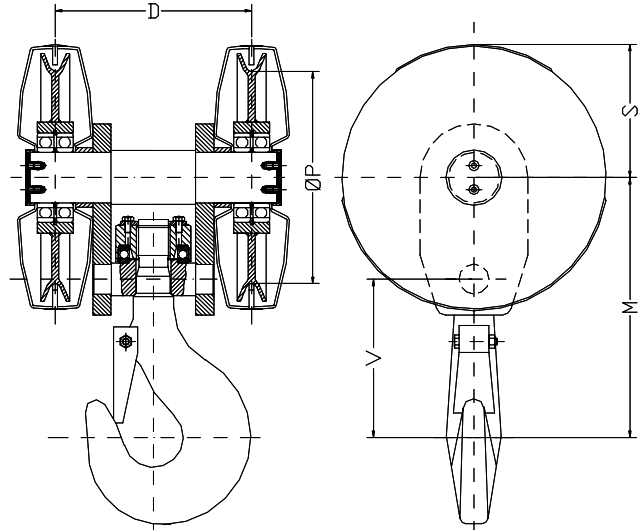


Hook Block Double Sheave



PART NO	WEIGHT		GENERAL DIMENSIONS						DRIVE GROUPS & LOADS (KG)					
	(kg)	Hook Num.	Rope Diam.	ØP	D	V	M	S	1Bm M3	1Am M4	2m M5	3m M6	4m M7	5m M8
99041	18	1,6	7	160	162	140	240	105	4000	3200	2500	2000	1600	1250
99042	30	2,5	10	200	194	150	260	131	6300	5000	4000	3200	2500	2000
99043	66	5	15	280	242	195	335	180	12500	10000	8000	6300	5000	4000
99044	142	8	16	355	327	265	435	223	20000	16000	12500	10000	8000	6300
99045	257	12	22	450	379	315	525	274	32000	25000	20000	16000	12500	10000

NOTE: Hooks assembled in these blocks are forged hooks according to DIN 15401 standard (Material: Ste 355).