

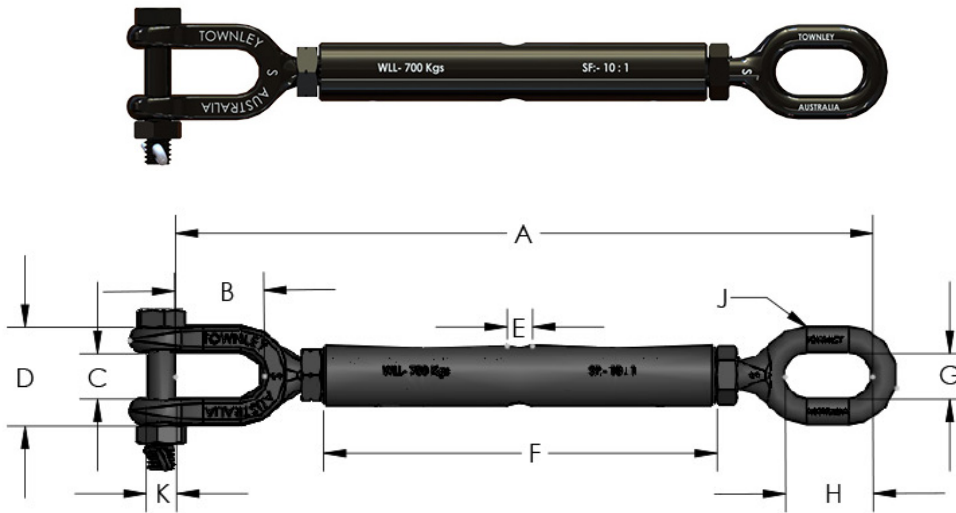
Entertainment Rigging Screw

Product Description

- Designed for the entertainment industry
- Working Load Limit (WLL): 700kg
- Fully Tested and Certified to the Load Requirements of AS 2319
- Manufactured using only heat certified Australian Steel (AS1442/AS1444)
- 10:1 Safety Factor
- Black Zinc Low Sheen Matt Finish for low visibility applications
- Clearly marked for easy identification of working load limit and safety factors
- Perfect for theatre rigging applications



Townley Drop Forge is both NATA Accredited (Test Lab No. 13554) and AS/NZS ISO9001 Certified (Certificate number FS 604897).



Model	WLL (kg)	A Closed (mm)	A Open (mm)	B (mm)	C (mm)	D (mm)	E (mm)	F (mm)	G (mm)	H (mm)	K (mm)	J (mm)
ER-RSCE12S	700kg	250	320	36	15	35	8.5	140	14	30	9	10

Subject to technical modifications