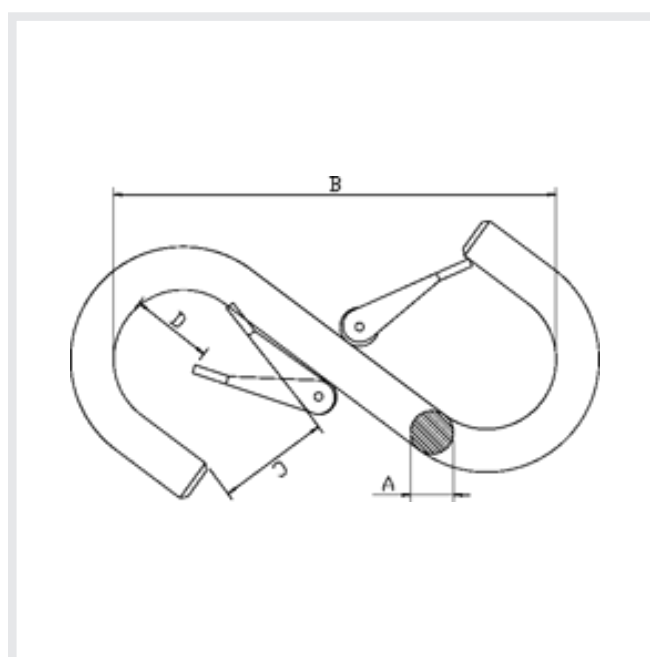


S Hook with Latches

Product Overview

- Grade 80
- 4:1 Safety Factor
- WLL from 50kg to 5t
- Wear-resistant coating
- Used as an alternative to shackles
- Ideal for chain sling assemblies, also used for the paint or industrial assembly sectors



WLL kg	A mm	B mm	C mm	D mm	Mass kg	REF
50	6	80	20	15	0.05	SHOOK50
100	8	80	20	15	0.08	SHOOK100
200	10	80	17	20	0.12	SHOOK200
300	14	100	23	20	0.3	SHOOK300
500	16	130	32	22	0.52	SHOOK500
750	18	160	42	27	0.8	SHOOK750
1 000	20	180	48	37	1.1	SHOOK1000
1 250	22	200	51	38	1.25	SHOOK1250
1 500	26	220	55	50	2	SHOOK1500
2 000	32	260	70	56	3.65	SHOOK2000
3 000	36	320	84	65	5.7	SHOOK3000
4 000	40	360	103	76	8.5	SHOOK4000
5 000	45	400	110	84	12	SHOOK5000