

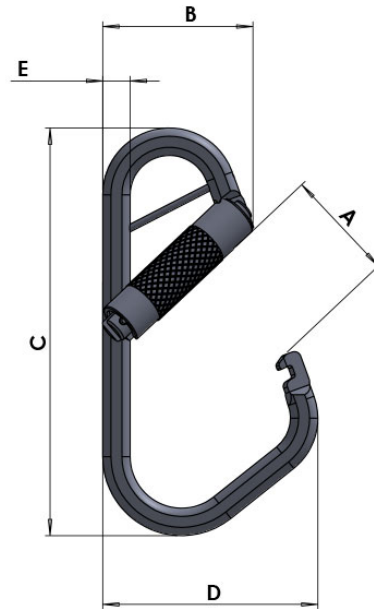
Entertainment Carabiner

Product Description

- Working Load Limit (WLL): 800kg
- Certified to AS4991-2004 (Lifting Devices)
- Individually proof-loaded to 1600kg in accordance with AS4991-2004
- Minimum Breaking Load (MBL) 4000kg (5:1)
- Unique Serial Number marked on each Carabiner
- Fully marked in accordance with AS4991-2004
- Test certificates supplied with all carabiners
- Cold-formed steel construction
- Black gloss finish (minimum 50-hour salt spray corrosion resistance)
- Dual-action locking gate
- Removable captive bar supplied with every carabiner for securing carabiner to sling
- Note: To be used in major axis only



Townley Drop Forge maintains a NATA Accredited Laboratory (Test Lab No. 13554) and an AS/NZS ISO9001 Certified QMS (Certificate number FS 604897)



Model	WLL (kg)	A (mm)	B (mm)	C (mm)	D (mm)	E (mm)
CLA-801	800kg	16.5mm	57mm	113mm	62mm	12.5mm
CLA-802	800kg	47mm	65mm	178mm	94mm	12mm

Subject to technical modifications