

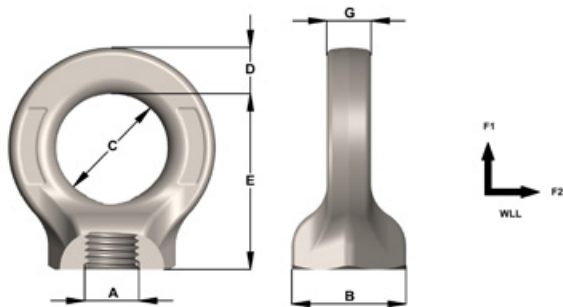
# Entertainment Grade-8 Eyenuts

## Product Description

- Designed for the entertainment industry
- Forged From High Tensile Alloy Steel
- Tempered
- Black Zinc Low Sheen Matt Finish for low visibility applications
- Manufactured exclusively from Australian Made Steel
- Electromagnetic crack testing to AS 1171
- Special thread forms made to order

Please ensure that all information contained in this user guide has been read and understood prior to the safe use of the Grade-8 Lifting Eyenut. Failure to follow this guide may result in serious injury and/or property damage. Failure to follow this user guide voids the manufacturer's warranty.

This document may refer to the Eyenut as the Lifting Point.



Townley Drop Forge maintains a NATA Accredited Laboratory (Test Lab No. 13554) and an AS/NZS ISO9001 Certified QMS (Certificate number FS 604897)

A Imperial	A Metric	WLL F1	WLL F2	B	C	D	E	G	Weight (kg)
3/8"	M10	1t	0.25t	27	30	12	48	10	0.17
1/2"	M12	1.6t	0.4t	27	30	12	48	10	0.17
5/8"	M16	4t	1t	34	34	15	56	14	0.37
3/4"	M20	6t	1.6t	41	40	17	70	16	0.6
7/8"	M22	7t	2t	50	50	20	85	18	1.1
1"	M24	8t	2.5t	50	50	20	85	18	1.1

### WLL (WORKING LOAD LIMIT)

Each Eyenut is clearly stamped with the permitted F2 WLL.

**F2 WLL** - indicates safe use for non-axial lifts.

**F1 WLL** - indicates loads which are in line with the axis of the threaded end of the eyenut. F1 WLL allows up to four (4) times higher lifting capacity whilst maintaining a 4:1 design factor of safety.