

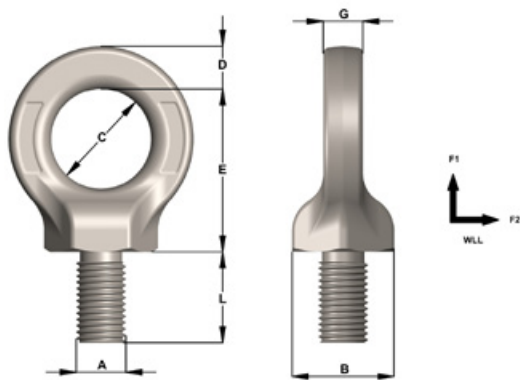
# Grade-8 Eyebolts

## Product Description

- Forged from high tensile alloy steel
- Tempered
- Electromagnetic crack testing to AS1171
- Hi-visibility powder coating to AS4506
- Manufactured exclusively from Australian Made Steel
- Long shanks and special thread forms made to order

Please ensure that all information contained in this user guide has been read and understood prior to the safe use of the Grade-8 Lifting Eyebolt. Failure to follow this guide may result in serious injury and/or property damage. Failure to follow this user guide voids the manufacturer's warranty.

This document may refer to the Eyebolt as the Lifting Point



Townley Drop Forge maintains a NATA Accredited Laboratory (Test Lab No. 13554) and an AS/NZS ISO9001 Certified QMS (Certificate number FS 604897)

A Imperial	A Metric	WLL F1	WLL F2	B	C	D	E	G	L	Weight (kg)
5/16"	M08	0.8t	0.2t	27	30	12	48	10	21	0.17
3/8"	M10	1t	0.25t	27	30	12	48	10	21	0.17
1/2"	M12	1.6t	0.4t	27	30	12	48	10	21	0.17
5/8"	M16	4t	1t	34	34	15	56	14	28	0.37
3/4"	M20	6t	1.6t	41	40	17	70	16	35	0.60
7/8"	M22	7t	2t	50	50	20	85	18	42	1.10
1"	M24	8t	2.5t	50	50	20	85	18	42	1.10
1.1/8"	M27	8t	2.5t	50	50	20	85	18	42	1.10
1.1/4"	M30	12t	3t	60	60	26	105	26	52	2.50
1.1/2"	M36	16t	4t	72	72	34	120	32	63	4.00

### WLL (WORKING LOAD LIMIT)

Each eyebolt is clearly stamped with the permitted F2 WLL.

**F2 WLL** - indicates safe use for non-axial lifts.

**F1 WLL** - indicates loads which are in line with the axis of the threaded end of the eyebolt. F1 WLL allows up to four (4) times higher lifting capacity whilst maintaining a 4:1 design factor of safety.