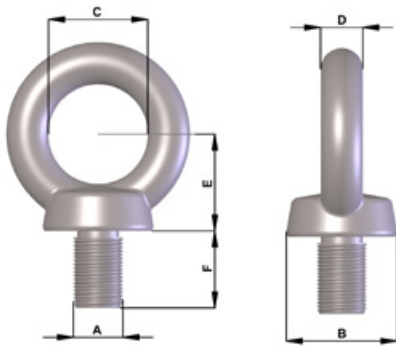


IS Range Eyebolts DIN580

Product Description

We do not recommend these for lifting purposes.

- General purpose - **Not For Lifting**
- Zinc Passivated surface finish



Metric AØ	BØ	CØ	DØ	E	F	Net Weight (kg)
M8	20	20	8	16.0	13.0	0.05
M10	25	25	10	20.5	17.0	0.10
M12	30	30	12	25.0	20.5	0.18
M16	35	35	14	29.5	27.0	0.28
M20	40	40	16	34.0	30.0	0.44
M22	50	50	20	43.0	36.0	0.60
M24	50	50	20	43.0	36.0	0.87