

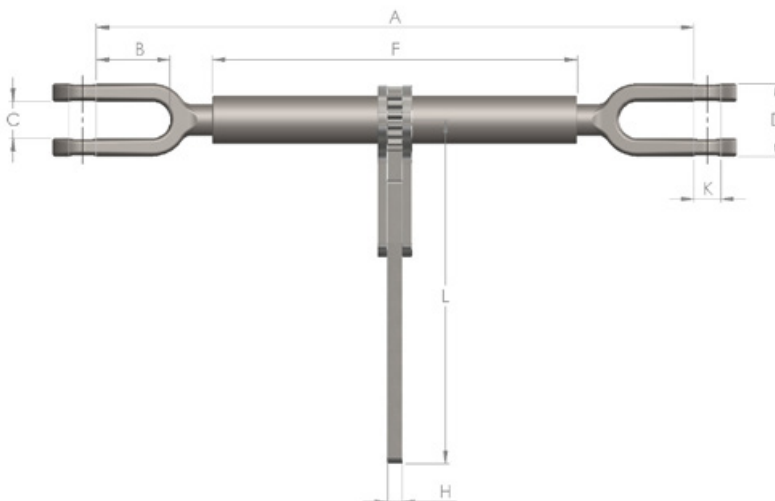
# Ratchet Loadbinder

## Product Description

- The Townley Ratchet Load binder is made in Australia, and is based on our standard Grade-P Rigging Screws. Ratchet load binders are well suited for heavy duty tensioning applications as very high tensioning forces can be achieved and more precise adjustment is available. Ratchet load binders also have no kick back when released.
- The M33 Ratchet Loadbinder, model number RSCC33P-LR, can be supplied with or without cross bolts and nuts. With the correct cross bolts and NATA testing to AS2319, the M33 Ratchet Loadbinder has a lifting capacity of 8 Tonne. Cross bolts and testing are optional and this information is required at time of order placement.



Townley Drop Forge maintains a NATA Accredited Laboratory (Test Lab No. 13554) and an AS/NZS ISO9001 Certified QMS (Certificate number FS 604897)



Nominal Size	A Closed	A Open	B	C	D	F	K	L	H	Grade	WLL
M33	628	902	76.5	38	76	380	27	360	30	P	N/A