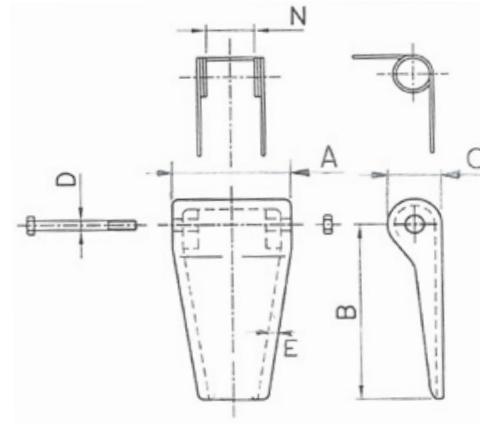


Safety Latch Kits DIN 15401/15402

Product Description

- Replacement safety latch kits
- Suitable for DIN 15401/15402



PART NO	A	B	C	DØ	E	N	For Hook Number		WEIGHT (kg)
							DIN 15401	DIN15402	
SLK-S0.8	35	65	20	5	3	18	0.8	-	0.07
SLK-S1.6/S2.5	35	75	23	6	3	20	1.6 & 2.5	-	0.09
SLK-S4	45	85	23	6	3	23	4		0.16
SLK-S5D6	45	95	31	10	2	23	5	6	0.16
SLK-S6D8	56	105	33	10	3	27	6	8	0.22
SLK-S8D10	65	120	37	12	3	27	8	10	0.38
SLK-S10D12	70	130	37	12	3	27	10	12	0.41
SLK-S12D16	80	150	43	16	3	35	12	16	0.61
SLK-S16D20	92	170	47	16	4	35	16	20	1.00
SLK-S20D25	97	200	66	16	4	35	20	25	1.18
SLK-S25D32	105	215	68	16	4	50	25	32	1.37
SLK-S32D40	120	240	68	20	5	60	32	40	2.13
SLK-S40D50	135	280	58	20	5	60	40	50	2.46
#	135	320	60	24	5	60	50	63	2.97
#	125	350	58	24	5	60	63	80	3.17
#	125	380	68	24	5	60	80	100	3.29
#	145	430	73	24	5	60	100	125	4.02

Denotes special order.

NOTE: S means "suitable for single hook" & D means "suitable for ramshorn hook"