

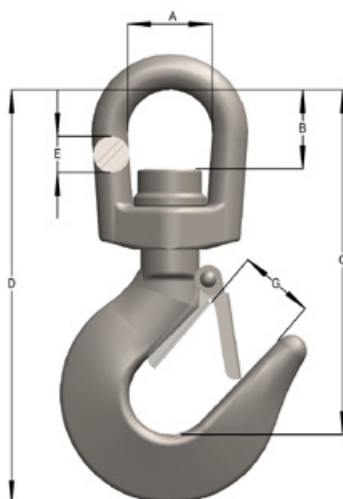
Swivel Hooks BS 2903

Product Description

- Forged - Hardened and Tempered
- Ball Bearing Swivel
- Load Rated (based on BS 2903)



Townley Drop Forge maintains a NATA Accredited Laboratory (Test Lab No. 13554) and an AS/NZS ISO9001 Certified QMS (Certificate number FS 604897)



Dimensions and Working Load Limits

WLL	A	B	C	D	E	G	Weight (kg)
0.8t	36	30	139	177	13.5	20	0.8
1.25t	45	32	173	221	14.0	21	1.8
1.6t	47	47	201	255	17.0	25	2.2
2.5t	47	47	228	285	17.0	33	2.8
3.2t	53	41	252	321	19.5	42	4.1
5t	60	58	272	365	26.0	41	6.7
6.3t	67	83	360	470	33.0	47	8.9
10t	66	72	400	520	33.0	55	25.9