

# Ratchet Load Binder

## Product Description

Manufactured at Townley, our Ratchet Load Binder is based on our standard Grade-P Rigging Screws. Ratchet load binders are well suited for heavy-duty tensioning applications, as very high tensioning forces can be achieved and more precise adjustment is available.

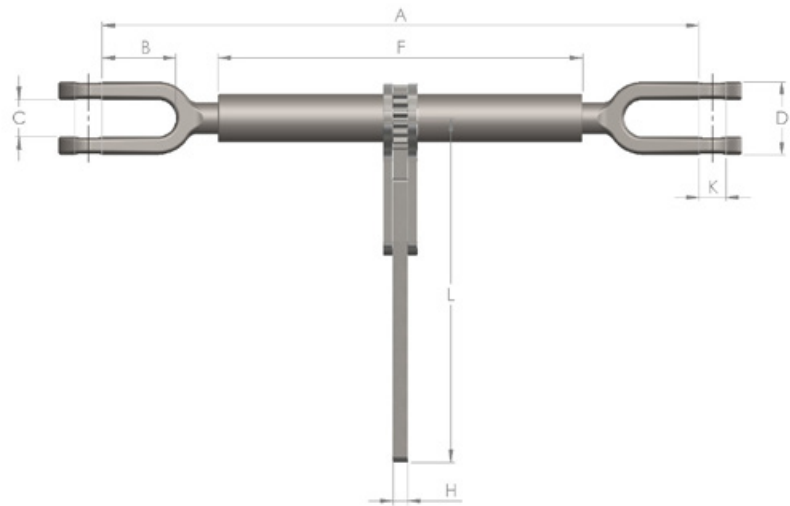
### Features:

- No kick back when released
- Galvanized
- Can be supplied with or without cross bolts

Please specify if you require cross bolts, nuts & NATA Testing to AS2319 at time of order placement.



Townley Drop Forge maintains a NATA Accredited Laboratory (Test Lab No. 13554) and an AS/NZS ISO9001 Certified QMS (Certificate number FS 604897)



Nominal Size	A Closed	A Open	B	C	D	F	K	L	H	Grade P		Grade S	
										WLL in t	LC in kg	WLL in t	LC in kg
M24	516	740	60	30	59	360	20	270	32	4	8000	5	10000
M33	629	899	78	38	76	380	27	360	40	8	16000	10	20000
M39	697	979	93	51	97	410	30	450	40	10	20000	12	24000
M42	742	1012	114	55	115	410	36	540	52	12	24000	16	32000
M48	739	990	112.5	55	115	410	39	630	52	16	32000	20	40000