

Ratchet Load Binder

Product Description

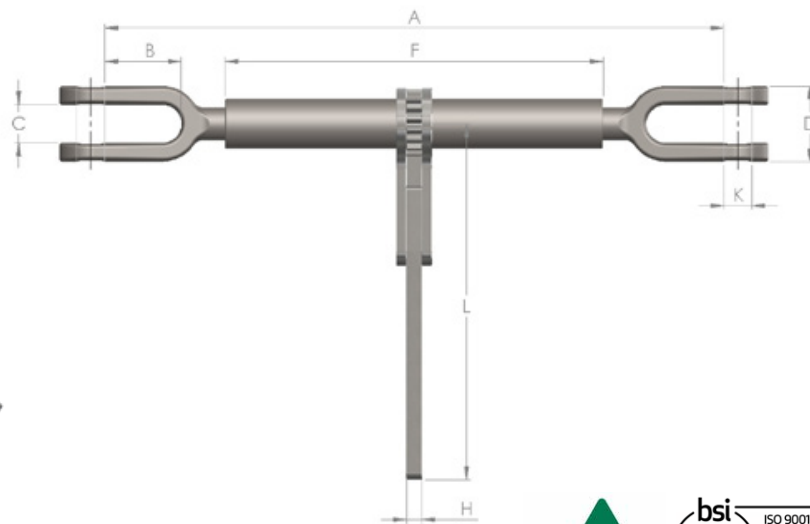
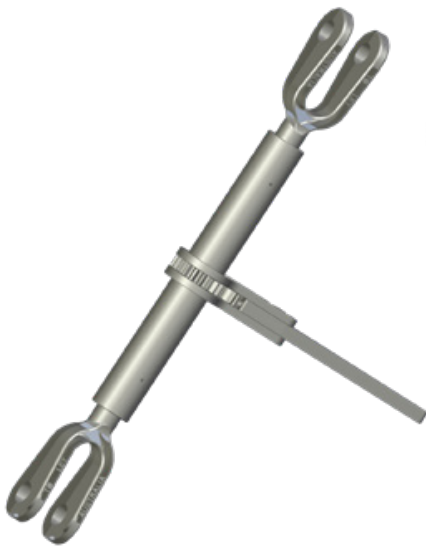
Townley Ratchet Load Binders are well suited for heavy-duty tensioning applications, as high tensioning forces can be achieved and more precise adjustment is available.

Features:

- Galvanized
- Supplied with cross bolts and nuts
- NATA tested to AS2319

Instructions For User Guidance:

- The Working Load Limit (WLL) is the maximum permissible load that a component is designed to safely handle in a lifting application.
- For load restraint, Lashing Capacity (LC) is used. This is typically rated at twice the WLL of a comparable lifting component.
- Pretension is the force applied during tightening. Load binders are intended to restrain loads, not to apply their full rated capacity as tension.
- Applying excessive force to reach the WLL or LC, or adjusting a load binder while it is under load, can cause damage. Apply only standard manual input force consistent with typical hand operation; do not use mechanical advantage devices or excessive force.



Townley Drop Forge maintains a NATA Accredited Laboratory (Test Lab No. 13554) and an AS/NZS ISO9001 Certified QMS (Certificate number FS 604897).

Nominal Size	A Closed	A Open	B	C	D	F	K	L	H	Grade P		Grade S	
										WLL (t)	LC (kg)	WLL (t)	LC (kg)
M24	516	740	60	30	59	360	20	270	32	4	8000	5	10000
M33	629	899	78	38	76	380	27	360	40	8	16000	10	20000
M39	697	979	93	51	97	410	30	450	40	10	20000	12	24000
M42	742	1012	114	55	115	410	36	540	52	12	24000	16	32000
M48	739	990	112.5	55	115	410	39	630	52	16	32000	20	40000